

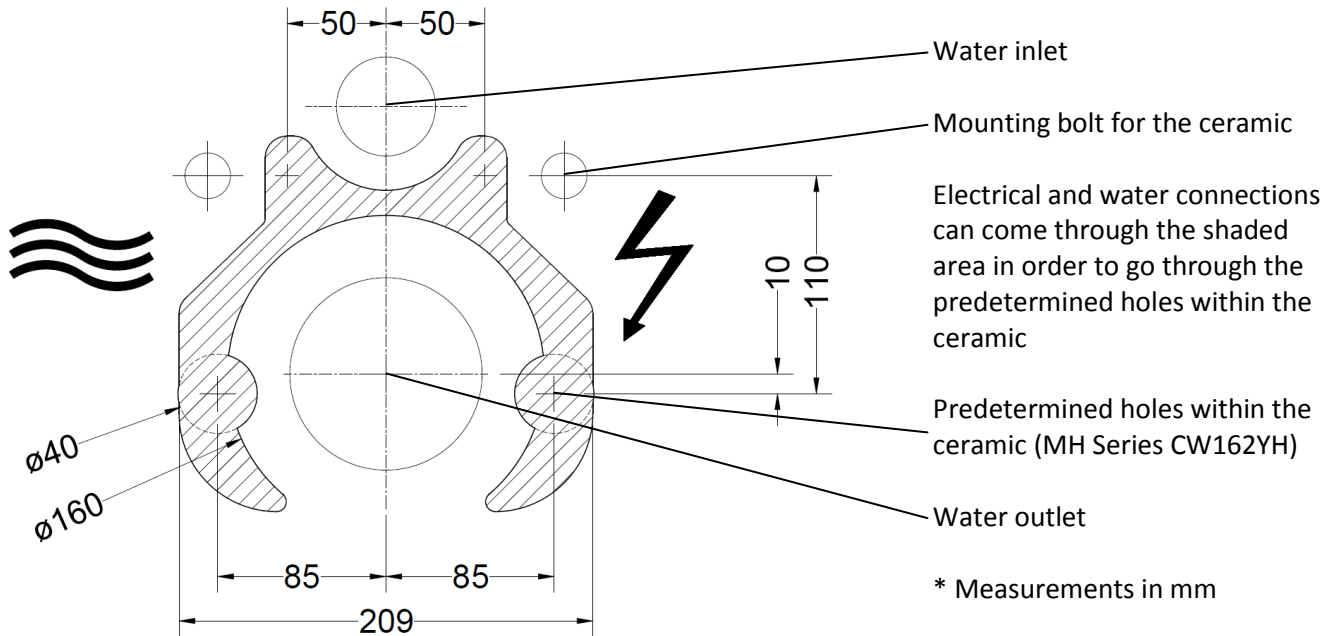
References for preparation of the connections

WASHLET GL 2.0 with hidden connection TCF6532C3GV1



WASHLET EK 2.0 with hidden connection TCF6632C3GV1

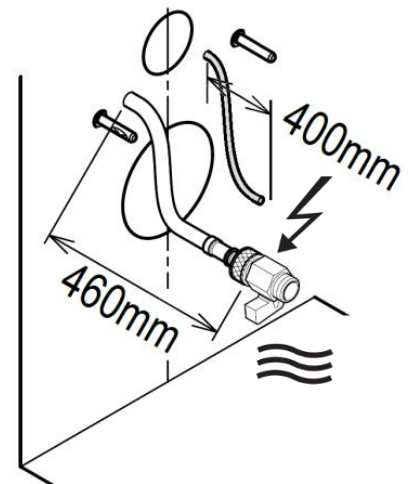
Before installation, be sure to read the installation manual and the separate safety precautions sheet.

Default connection positions



To be provided on site

-  Water connection
 - Flexible cold water connection 460 mm (flexible hose)
 - Cold water supply finishing with stop valve 3/8" male connection (not provided by TOTO) to connect to the WASHLET flexible hose 3/8" female
 - Pressure min. 0,1 MPa (dynamic)
Pressure max. 1,0 MPa (static)
-  Electrical connection
 - Flexible power cord 400 mm
 - Hirschmann electrical connector (included)
 - Power supply 220 – 240 V ~ 50/60 Hz
 - Max. Power rating 321 W



Prepare the connection within the above specified area.

For Geberit Duofix element with Sigma concealed cistern (since April 2013) we recommend the water upgrade set 250.005.00.1 from Geberit.

Install a power source circuit cutoff device (according to IEC 60335-1).

Install a Residual Current Circuit Breaker (RCCB) ($I_n = 30$ mA) that disconnects all phases from mains.