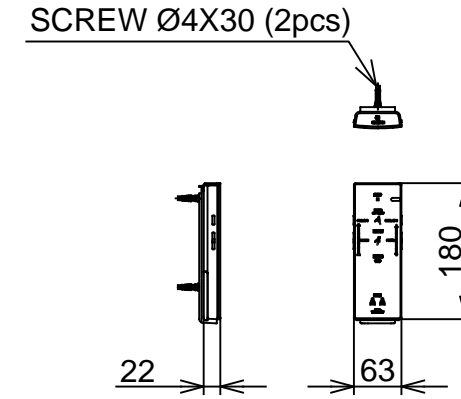
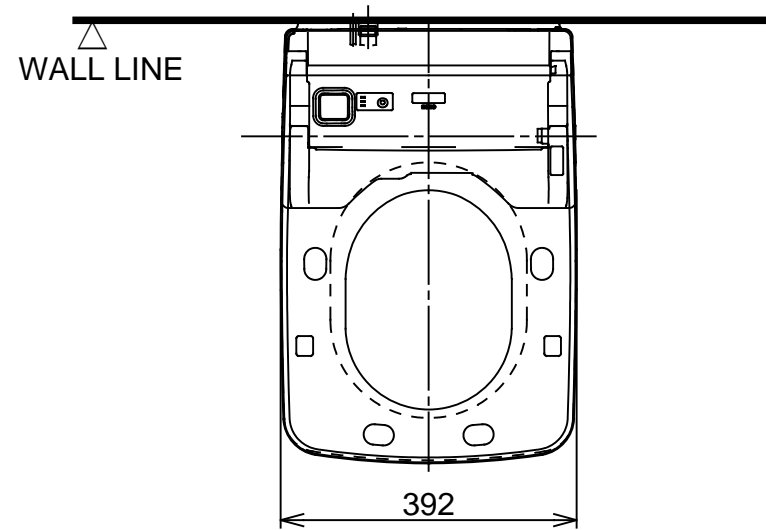
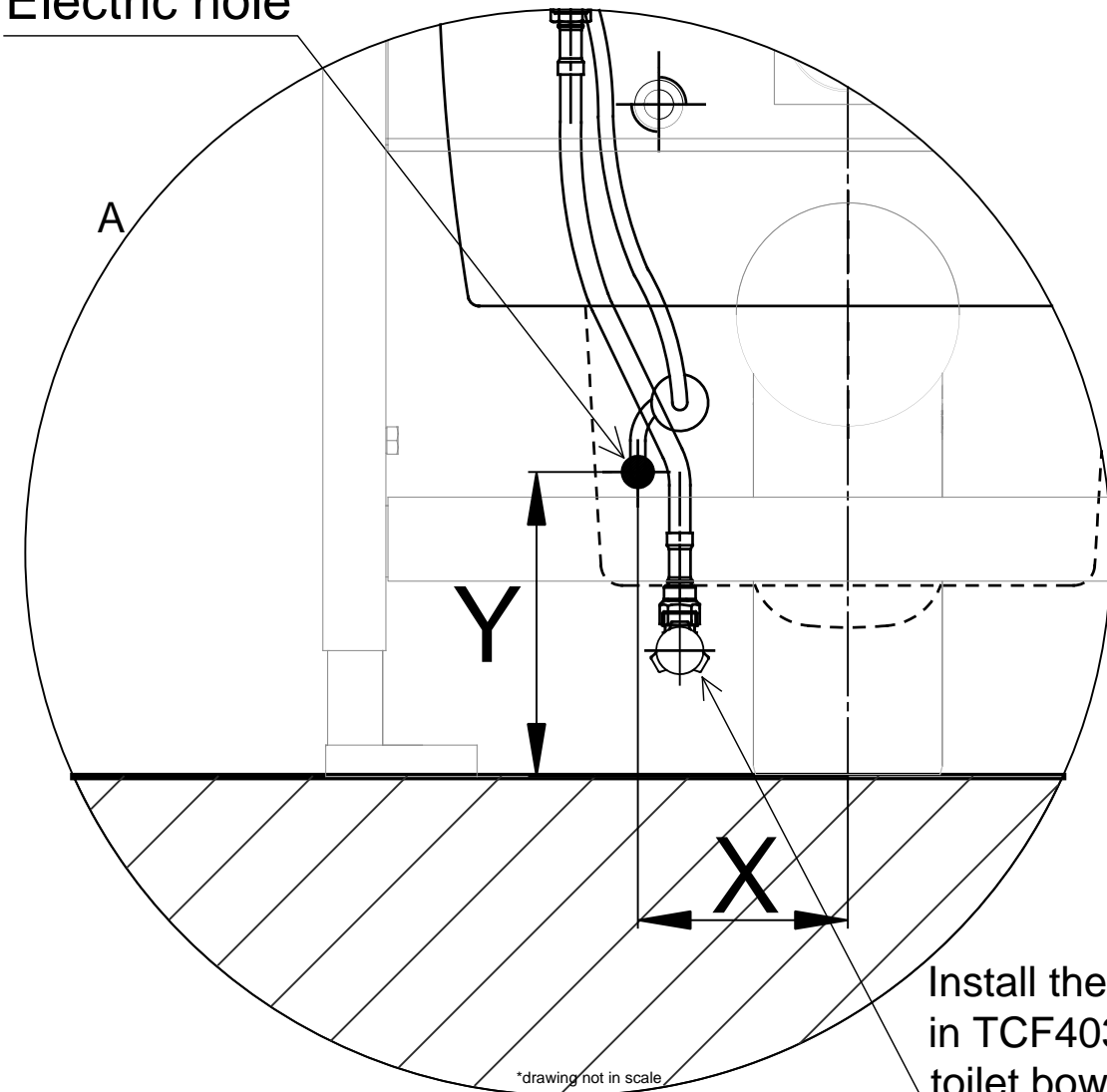


- * Install a power source circuit cutoff device (according to IEC 60335-1)
- * An all-pole disconnecting device from the mains having a contact opening width of at least 3 mm per pole must be provided
- * Rating : AC220-240V 845-855W 50Hz
(max. 1528W when water temp. ~0°C)
- * If used, attach the recommended UPGRADE SET prior to the frame installation

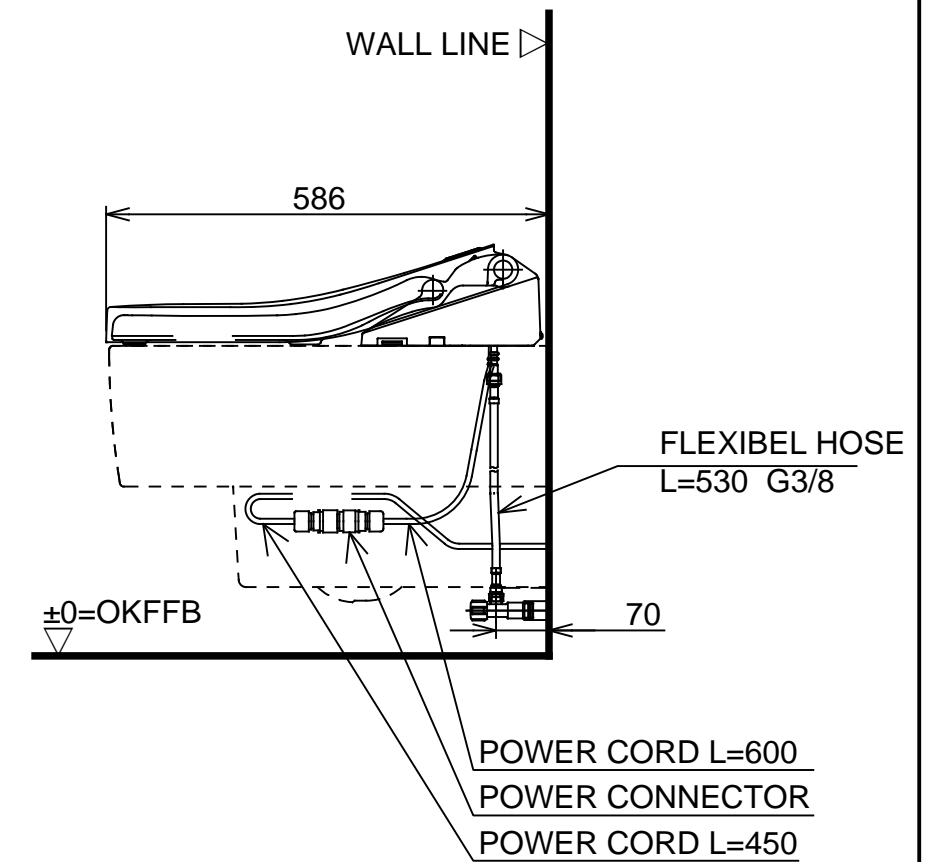
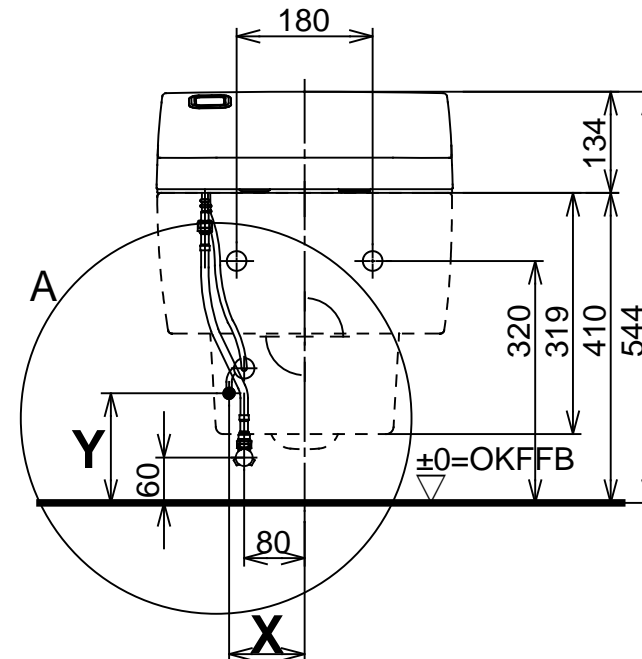


Electric hole position	X	Y
TECE Profil (Articel No. 9.300.000)	100	145
Geberit Duofix (Articel No. 111.300.00.5)	90	110

Electric hole



Install the stop valve included in TCF403E* before install the toilet bowl



Designation		SG WASHLET		TOTO
		TCF403EGV1		
Altered	Scale	1:10		This drawing including the respective data may neither be duplicated nor modified nor altered without the consent of TOTO Europe GmbH. The usage of the data/technical drawings takes place at user's own risk and under exclusion of any liability of TOTO Europe GmbH and/or of the companies of the TOTO-Group. The indicated dimensions are not binding; products are subject to change. Measurements shown may be subject to small variations or are indicative.
	Signed	JPL		
	Date	20/03/2015		